

2016

## KABLO KELEPÇELERİ CABLE CLEATS



**BİR-ER ELEKTRİK SİSTEMLERİ YAPIM MÜHENDİSLİK SAN. ve TİC. LTD. ŞTİ.**

[www.birerelektrik.com](http://www.birerelektrik.com)

BİR-ER ELEKTRİK SİSTEMLERİ, Enerji Sektöründe HV Yüksek Gerilim, 154-380 kV Açık Şalt ve GIS Trafo Merkezleri kurulumu yapmak üzere 1992 yılında kurulmuştur. Trafo Merkezlerine yönelik;

- YG Alüminyum Klemensleri
- Kablo Kelepçeleri
- Topraklama Malzemeleri

imalatını ise SPP (Substation Power Plant Products) markası adı altında üreterek faaliyetini sürdürmektedir.

BİR-ER ELEKTRİK, Elektrik Üretim ve Dağıtım Sektöründe 25 yıla yaklaşan tecrübesi ile, sektörün beklenti ve ihtiyaçlarını analiz ederek yeni ürünlerin tasarım ve üretimi ile marka değerini ve bilinirliğini arttırmaktadır.

Yurtiçinde ve yurtdışında önde gelen yüklenici firmaların onaylı tedarikçisi olan BİR-ER ELEKTRİK, alanında uzman kadrosuyla ve gelişen kapasitesiyle gücüne güç katan bir firma olarak birçok ülkeye ihracat gerçekleştirilmektedir.

BİR-ER ELEKTRİK, AR-GE, satış ve üretim faaliyetlerine, ISO 9001:2008, ISO 14001:2004, OHSAS 18001:2007 Entegre Kalite Yönetim sistemlerine uygun şekilde, müşteri memnuniyeti odaklı hizmet politikasıyla devam etmektedir.

*BİR-ER ELEKTRİK SİSTEMLERİ was founded in 1992, for the production of High Voltage, 154-380 kV Air Substations and installations of GIS Substations. Product portfolio has extended to*

- HV Aluminum Connectors,
- Cable Cleats
- Earthing Products

*for substations under SPP ( Substation Power Plant Products) brand.*

*BİR-ER ELEKTRİK continued to exceed expectations of Electricity Production and Distribution Industry with a dedicated team of experts capable of design, product development and production, nearly an experience of 25 years.*

*As an approved supplier to significant contractors in both local and international markets, BİR-ER ELEKTRİK with an increasing production capacity, meets international product quality standards and exports to various countries.*

*BİR-ER ELEKTRİK manages all Research and Development, Production and Sales activities inline with Integrated Quality Management Systems ISO 9001:2008, ISO 14001:2004, OHSAS 18001:2007, customer satisfaction being foremost policy.*



**BİR-ER ELEKTRİK SİSTEMLERİ YAPIM MÜHENDİSLİK SAN. ve TİC. LTD. ŞTİ.**

#### OFFICE

Kuzguncuk, İcadiye Cad. No: 72/2  
34674 Üsküdar - İSTANBUL/TURKEY  
Tel : +90(216) 492 19 60 (pbx)  
Fax : +90(216) 532 30 43  
E-mail: info@birerelektrik.com

Ticari Sicil No: 420211  
Sanayi Sicil No: 34162

#### FACTORY

DES San. Sitesi 110 Sok. D25 Blok No: 7  
34776 Y.Dudullu - İSTANBUL/TURKEY  
Tel : +90(216) 527 42 98  
Fax : +90(216) 527 38 28  
E-mail: imalat@birerelektrik.com

# KABLO KELEPÇELERİ

## CABLE CLEATS

### Tasarım / Design:

IEC 61914: 2015

*Cable Cleats For Electrical Installations*

**Katalogta yer alan bütün içerik ve görsellerin tüm hakları saklıdır.**

*All rights of contents, technical drawings and images within this catalogue are reserved.*

### OFFICE

Kuzguncuk, İcadiye Cad. No: 72/2  
34674 Üsküdar - İSTANBUL/TURKEY

**Tel** : +90(216) 492 19 60 (pbx)

**Fax** : +90(216) 532 30 43

**E-mail:** info@birerelektrik.com

**Ticari Sicil No:** 420211

**Sanayi Sicil No:** 34162

### FACTORY

DES San. Sitesi 110 Sok. D25 Blok No: 7  
34776 Y.Dudullu - İSTANBUL/TURKEY

**Tel** : +90(216) 527 42 98

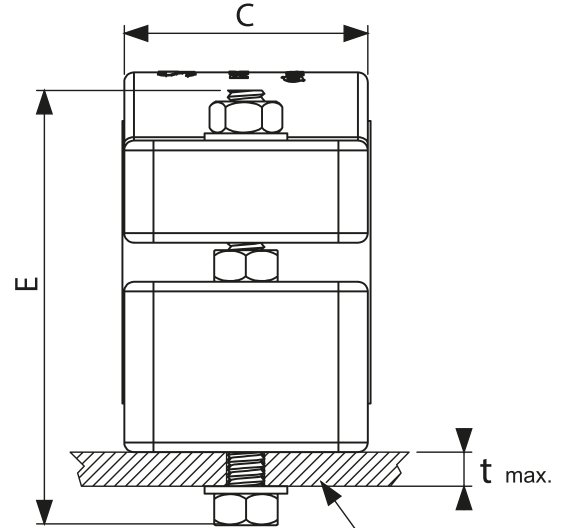
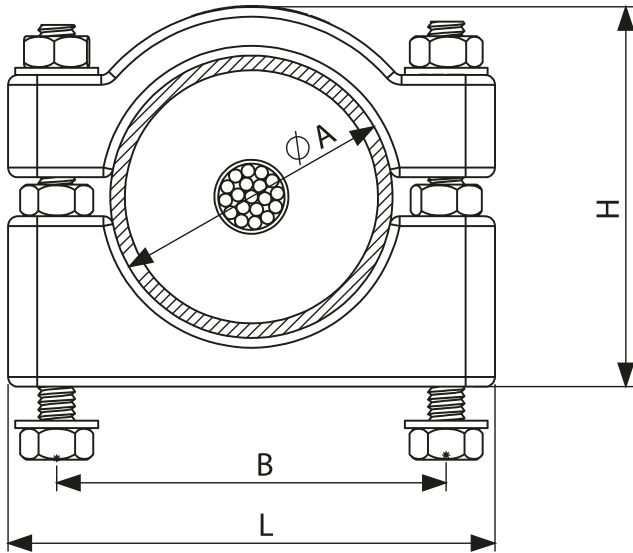
**Fax** : +90(216) 527 38 28

**E-mail:** imalat@birerelektrik.com

**PCC**

Catalog N.	Cable Outer Dia.		DIMENSIONS (mm)					E (Bolts)	
	ØA (mm)		B	C	L	H max.	t	Size	Torque
	min.	max.							
PCC-34	26	34	50	35	65	56	20	M6x80	5 Nm
PCC-42	35	42	55	40	76	60	12	M6x80	5 Nm
PCC-50	44	50	70	45	90	70	20	M8x90	6 Nm
PCC-58	52	58	80	50	100	78	12	M8x90	6 Nm

Operating temperature : -40°C / +120°C  
Resistance to impact : Very Heavy (20 OJ)  
Resistance to UV: Resistive  
Flame propagation : Resistive  
Material : Polyamide Mixture  
Standard : EN 61914'



t : max. base fixing thickness

\* Contact us for other sizes. Please specify the size of outer diameter of the cable.

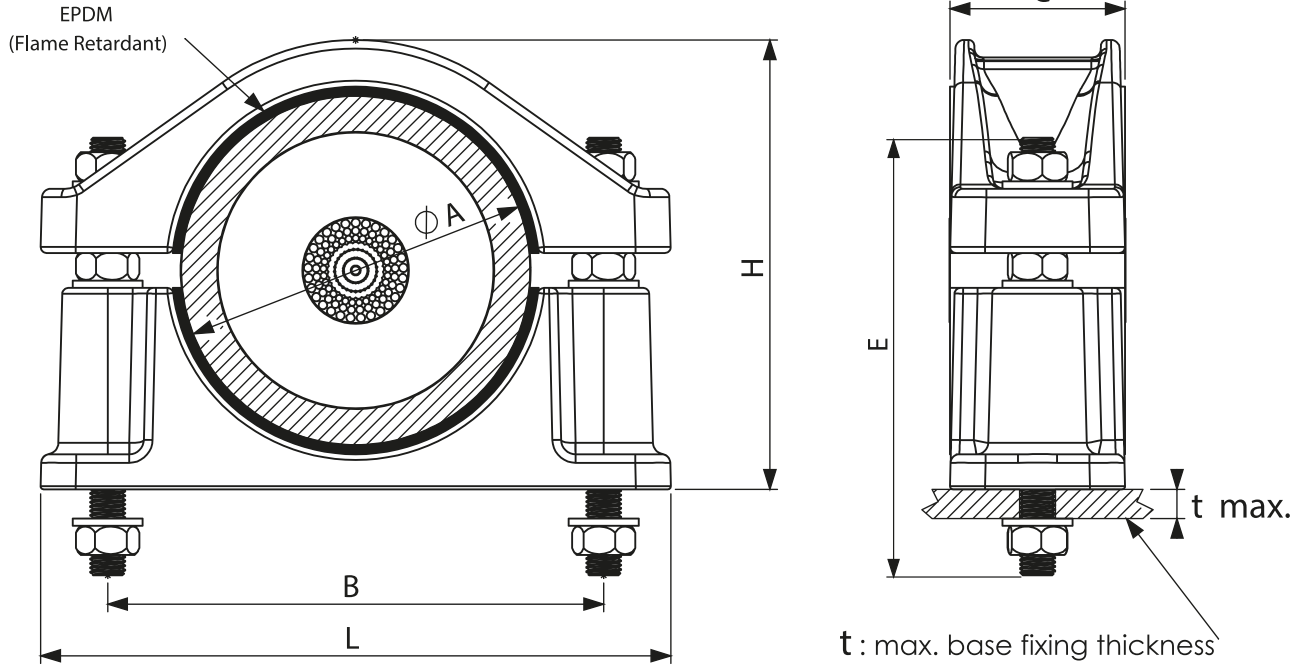
**Order Form / Sipariş Formu**

Item N.	Catalog N.	CABLE Outer Dia.	Bolts	Quantity (pcs) Miktar (adet)	NOTE
		ØA mm	metric		

ACC

Catalog N.	Cable Outer Dia.		DIMENSIONS (mm)					E (Bolts)	
	ØA (mm)		B	C	L	H max.	t	Size	Torque
	min.	max.							
ACC-40	31	40	66	45	90	68	10	M8	20Nm
ACC-50	41	50	76	45	100	73			
ACC-60	51	60	100	60	134	82			
ACC-70	61	70	110	60	144	94			
ACC-80	71	80	120	60	154	106			
ACC-90	81	90	130	60	164	118	10	M12	25 Nm
ACC-100	91	100	140	60	174	130			
ACC-110	101	110	160	60	206	141			
ACC-120	111	120	170	60	216	154			
ACC-130	121	130	180	70	226	167			

Operating temperature : -40°C / +120°C  
Resistance to impact : Very Heavy (20.0J)  
Material : Aluminum Casting  
Standard : EN 61914'



\* Contact us for other sizes. Please specify the size of outer diameter of the cable.

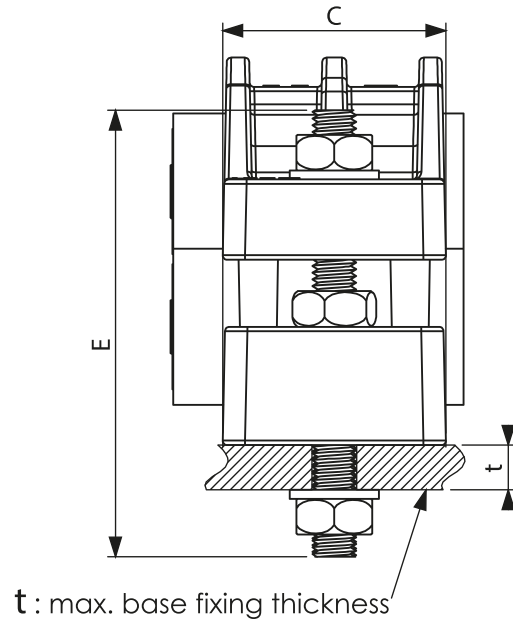
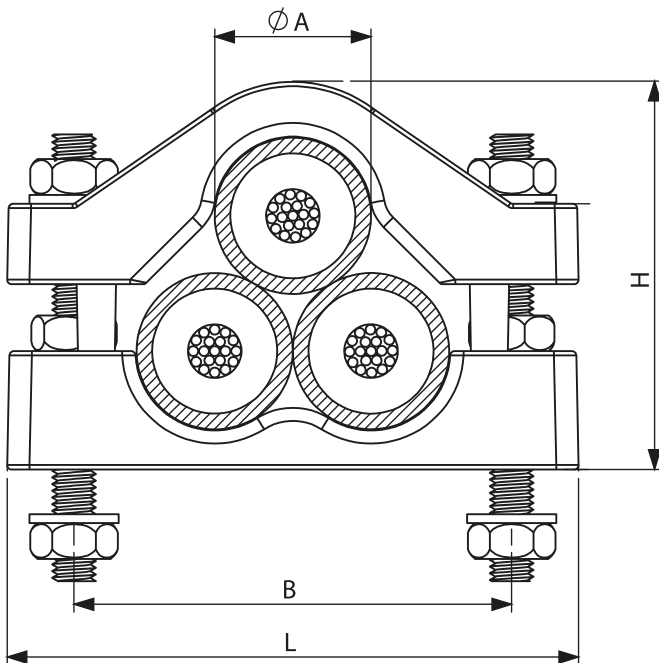
Order Form / Sipariş Formu

Item N.	Catalog N.	CABLE Outer Dia.	Bolts metric	Quantity (pcs) Miktar (adet)	NOTE
		ØA mm			

**PCCT**

Catalog N.	Cable Outer Dia.		DIMENSIONS (mm)					E (Bolts)	
	3 x ØA (mm)		B	C	L	H max.	t	Size	Torque
	min.	max.							
PCCT-21	15	21	68	50	98	59	20	M10x100	10 Nm
PCCT-28	22	28	82		112	71	15	M10x100	10 Nm
PCCT-35	29	35	98		128	87	10	M10x100	10 Nm

Operating temperature : -40°C / +120°C  
 Resistance to impact : Very Heavy (20 0J)  
 Resistance to UV: Resistive  
 Flame propagation : Resistive  
 Material : Polyamide Mixture  
 Standard : EN 61914'



\* Contact us for other sizes. Please specify the size of outer diameter of the cable.

**Order Form / Sipariş Formu**

Item N.	Catalog N.	CABLE Outer Dia.	Bolts	Quantity (pcs) Miktar (adet)	NOTE
		3xØA mm	metric		



## PCCT-46

Catalog N.	Cable Outer Dia.		DIMENSIONS (mm)					E (Bolts)	
	3 x ØA (mm)		B	C	L	H max.	t	Size	Torque
	min.	max.							
PCCT-46-1*	36	37	130	40	154	94	20	M8x70	10 Nm
PCCT-46-2*	38	39				97	20		
PCCT-46-3*	40	41				101	20		
PCCT-46-4*	42	43				103	10		
PCCT-46-5	44					102	10		
PCCT-46-6	45	46				107	10		

\*With Elastic Rubber

Operating temperature : -40°C / +120°C

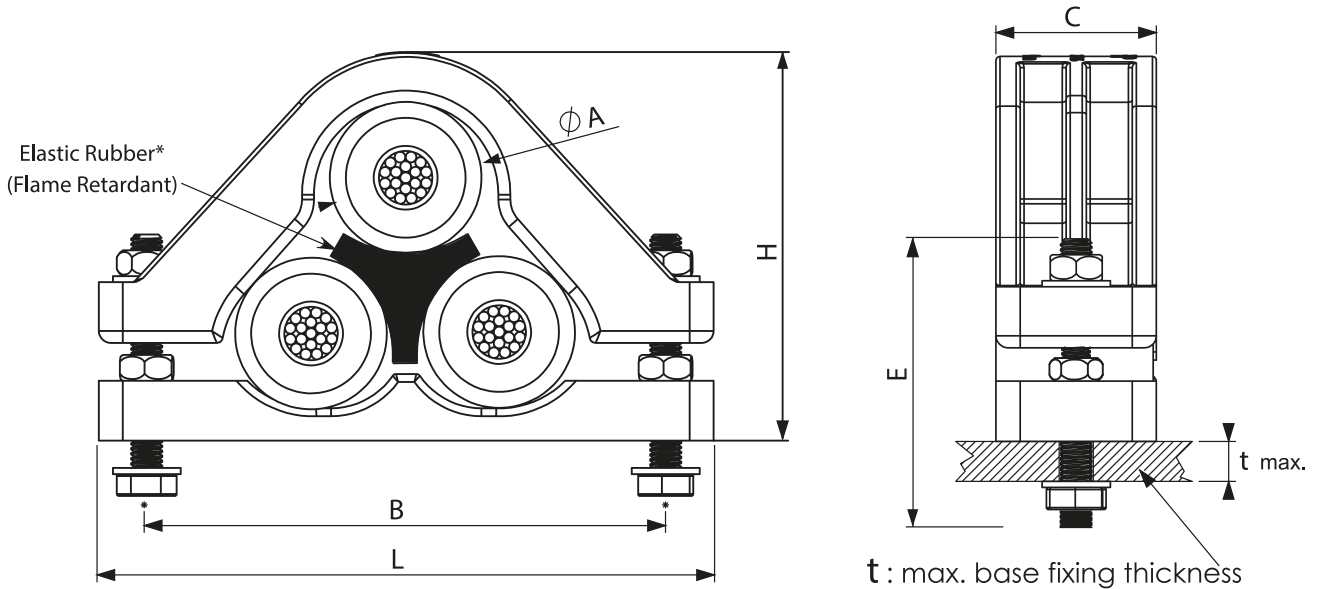
Resistance to impact : Very Heavy (20.0J)

Resistance to UV: Resistive

Flame propagation : Resistive

Material : Polyamide Mixture

Standard : EN 61914'



\* Contact us for other sizes. Please specify the size of outer diameter of the cable.

### Order Form / Sipariş Formu

Item N.	Catalog N.	CABLE Outer Dia.	Bolts	Quantity (pcs) Miktar (adet)	NOTE
		3xØA mm	metric		

**PCCT-58**

Catalog N.	Cable Outer Dia.		DIMENSIONS (mm)					E (Bolts)	
	3 x ØA (mm)		B	C	L	H max.	t	Size	Torque
	min.	max.							
PCCT-58-1*	47	48	162	50	192	118	20	M10x80	10 Nm
PCCT-58-2*	49	50				125	10		
PCCT-58-3*	51	52				128	10		
PCCT-58-4*	53	54				134	10	M10x90	
PCCT-58-5*		55				136	10		
PCCT-58-6		56				132	10		
PCCT-58-7		57				133	10		
PCCT-58-8		58				135	10		

\*With Elastic Rubber

Operating temperature : -40°C / +120°C

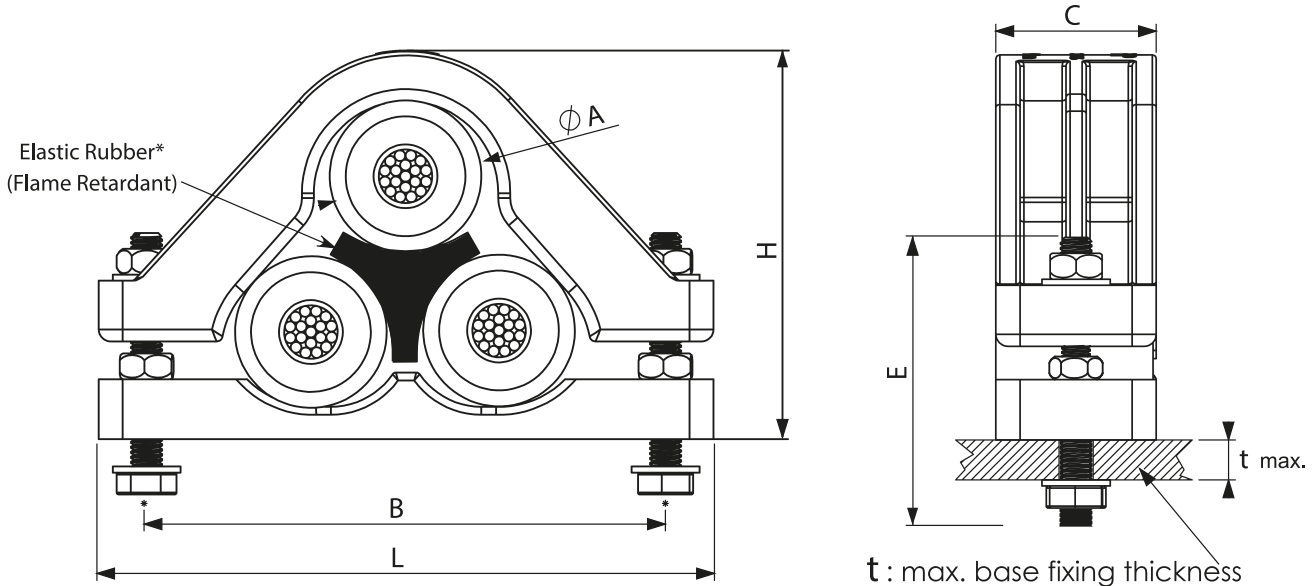
Resistance to impact : Very Heavy (20.0J)

Resistance to UV: Resistive

Flame propagation : Resistive

Material : Polyamide Mixture

Standard : EN 61914'



\* Contact us for other sizes. Please specify the size of outer diameter of the cable.

**Order Form / Sipariş Formu**

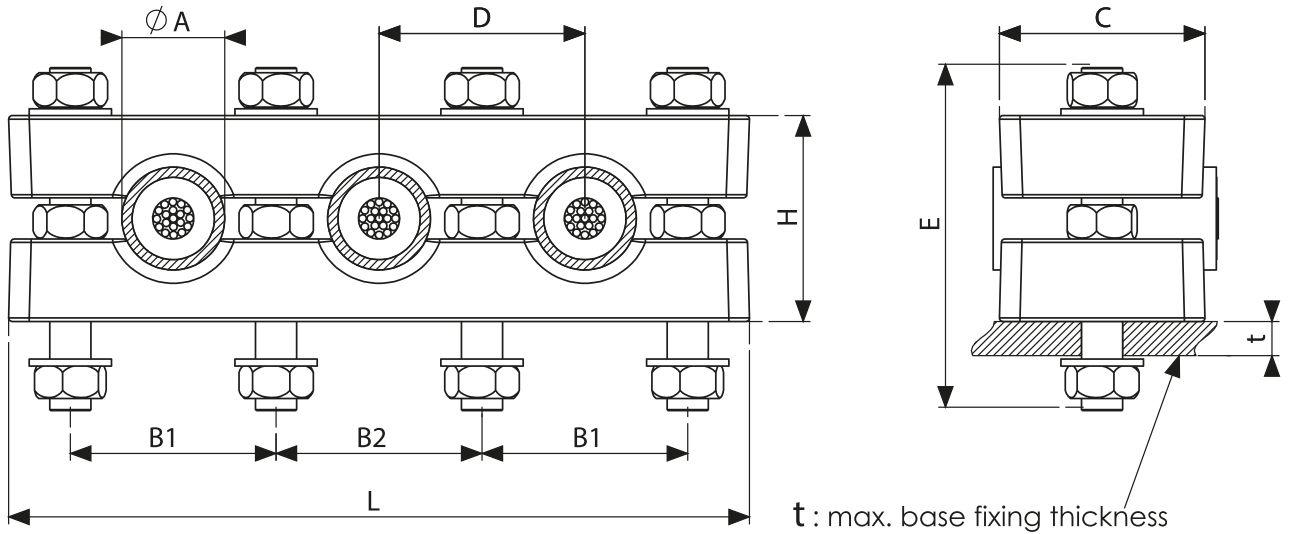
Item N.	Catalog N.	CABLE Outer Dia.	Bolts	Quantity (pcs) Miktar (adet)	NOTE
		3xØA mm	metric		



## PCC-3FF

Catalog N.	CABLE Outer Dia.		DIMENSIONS (mm)							E (Bolts)	
	3 x ØA (mm)		B1	B2	C	D	L	H max.	t	Size	Torque
	min.	max.									
PCC-3FF30	21	30	60	60	60	60	216	60	10	M12x100	10 Nm
PCC-3FF40	31	40	76	80		80	268	80	10	M12x120	
PCC-3FF50	41	50	91	100		100	318	100	10	M12x140	

Operating temperature : -40°C / +120°C  
 Resistance to impact : Very Heavy (20.0J)  
 Resistance to UV: Resistive  
 Flame propagation : Resistive  
 Material : Polyamide Mixture  
 Standard : EN 61914'

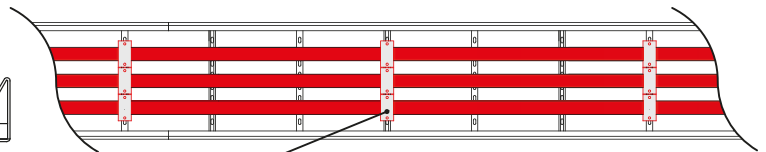
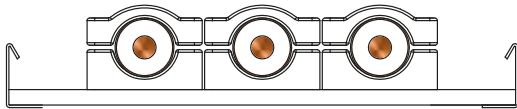
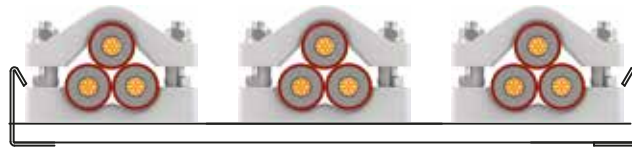
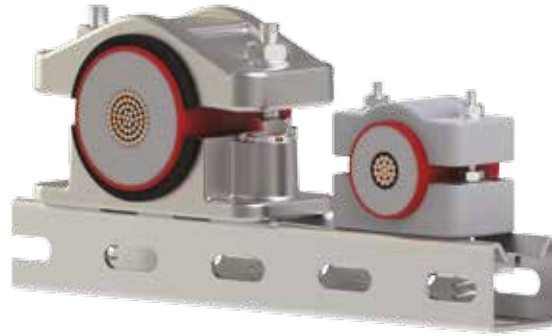
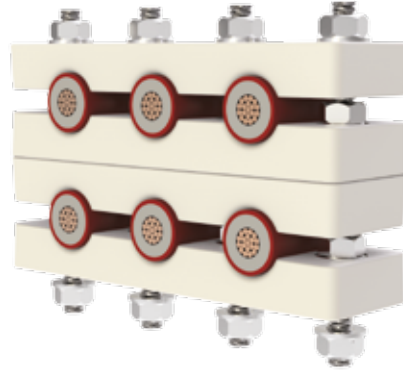


\* Contact us for other sizes. Please specify the size of outer diameter of the cable.

### Order Form / Sipariş Formu

Item N.	Catalog N.	CABLE Outer Dia.	Bolts	Quantity (pcs) Miktar (adet)	NOTE
		3xØA mm	metric		

## UYGULAMALAR / APPLICATIONS



PCC-



**BİR-ER ELEKTRİK SİSTEMLERİ YAPIM MÜHENDİSLİK SAN. ve TİC. LTD. ŞTİ.**

### OFFICE

Kuzguncuk, İcadiye Cad. No: 72/2  
34674 Üsküdar - İSTANBUL/TURKEY

Tel : +90(216) 492 19 60 (pbx)

Fax : +90(216) 532 30 43

E-mail: info@birerelektrik.com

Ticari Sicil No: 420211

Sanayi Sicil No: 34162

### FACTORY

DES San. Sitesi 110 Sok. D25 Blok No: 7  
34776 Y.Dudullu - İSTANBUL/TURKEY

Tel : +90(216) 527 42 98

Fax : +90(216) 527 38 28

E-mail: imalat@birerelektrik.com

# BELGELERİMİZ CERTIFICATES



## OFFICE

Kuzguncuk, İcadiye Cad. No: 72/2  
34674 Üsküdar - İSTANBUL/TURKEY  
Tel : +90(216) 492 19 60 (pbx)  
Fax : +90(216) 532 30 43  
E-mail: info@birerelektrik.com

Ticari Sicil No: 420211  
Sanayi Sicil No: 34162

[www.birerelektrik.com](http://www.birerelektrik.com)

## FACTORY

DES San. Sitesi 110 Sok. D25 Blok No: 7  
34776 Y.Dudullu - İSTANBUL/TURKEY  
Tel : +90(216) 527 42 98  
Fax : +90(216) 527 38 28  
E-mail: imalat@birerelektrik.com



**SPP**<sup>®</sup>  
SUBSTATION  
POWER PLANT  
PRODUCTS

**BİR-ER ELEKTRİK SİSTEMLERİ YAPIM MÜHENDİSLİK SAN. ve TİC. LTD. ŞTİ.**



**OFFICE:**

Kuzguncuk, İcadiye Cad. No: 72/2  
34674 Üsküdar - İSTANBUL / TURKEY  
Tel : +90 216 492 19 60 (pbx)  
Fax : +90 216 532 30 43  
e-mail : info@birerelektrik.com

**FACTORY:**

DES San. Sitesi 110 Sok. D.25 Blok No:7  
34776 Dudullu - İSTANBUL / TURKEY  
Tel : +90 216 527 42 98 (pbx)  
Fax : +90 216 527 37 28  
e-mail : info@birerelektrik.com

[www.birerelektrik.com](http://www.birerelektrik.com)

[www.kosgeb.gov.tr](http://www.kosgeb.gov.tr)



B.Y. HOCUS FOCUS  
Reklam Basım ve  
Fotoğraf Sanatları San.  
Tic. Ltd. Şti.  
BT 08 09 2016