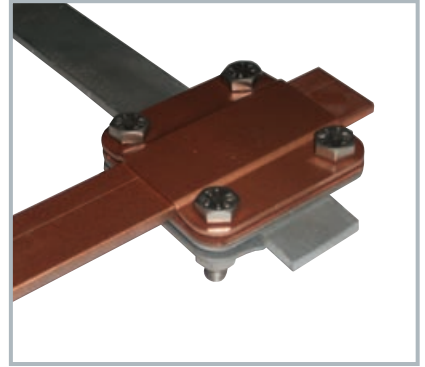
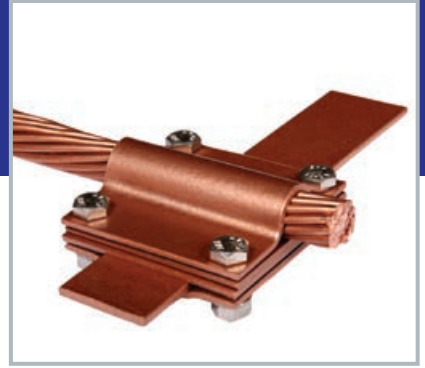


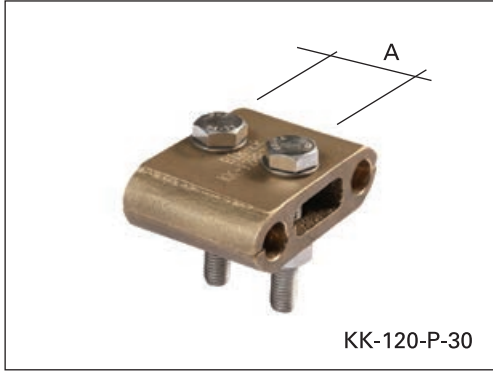
# İLETKEN BAĞLANTILARI

## CONDUCTOR CONNECTIONS



**BİR-ER** ELEKTRİK SİSTEMLERİ YAPIM MÜHENDİSLİK SAN. ve TİC. LTD. ŞTİ.

### KIZIL KLEMENS / NAVAL BRASS CLAMP



Sipariş Kodu Reference No.	Delikler Arası Mesafe Hole Size A(mm)	İletken Kesiti Conductor Range (mm <sup>2</sup> )	Malzeme Material
KK-50-P-30	30	50	NAVAL BRASS
KK-50-P-35	35	50	
KK-70-P-30	30	70	
KK-70-P-35	35	70	
KK-95-P-30	30	95	
KK-95-P-35	35	95	
KK-95-P-45	45	95	
KK-95-P-60	60	95	
KK-120-P-30	30	120	
KK-120-P-35	35	120	
KK-120-P-45	45	120	
KK-120-P-60	60	120	
KK-150-P-30	30	150	
KK-150-P-35	35	150	
KK-150-P-45	45	150	
KK-150-P-60	60	150	
KK-185-P-30	30	185	
KK-185-P-35	35	185	
KK-185-P-45	45	185	
KK-185-P-60	60	185	
KK-240-P-30	30	240	
KK-240-P-35	35	240	
KK-240-P-45	45	240	
KK-240-P-60	60	240	

Bolts:Inox A2 70 M10x60

SINGLE

### PİRİNÇ PARALEL KLEMENS / NAVAL BRASS PARALLEL CLAMP

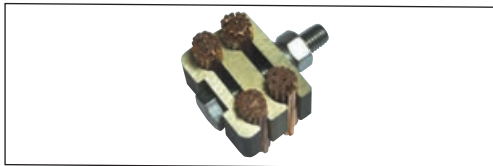


Bolts:M12x50 INOX A2 70

Sipariş Kodu Reference No.	İletken Kesiti Conductor Range (mm <sup>2</sup> )	Malzeme Material
NBC-1	50-150	NAVAL BRASS

SINGLE

### PİRİNÇ PARALEL KLEMENS / NAVAL BRASS PARALLEL CLAMP



Bolts:M12x65 INOX A2 70

Sipariş Kodu Reference No.	İletken Kesiti Conductor Range (mm <sup>2</sup> )	Malzeme Material
NBC-2	50-150	NAVAL BRASS

### Al-Cu KLEMENS / Al - Cu CLAMP



Bolts:Property Class 8.8

Sipariş Kodu Reference No.	İletken Kesiti Conductor Range Al. (mm <sup>2</sup> )	İletken Kesiti Conductor Range Cu. (mm <sup>2</sup> )	Malzeme Material
KBA-25-A-16	25	16	ALUMINIUM
KBA-50-A-25	50	25	
KBA-70-A-50	70	50	
KBA-120-A-70	120	70	
KBA-240-A-120	240	120	

**TIRNAKLI KLEMENS / CLAW COUPLING CLAMP**

Sipariş Kodu Reference No.	İletken Kesiti Conductor Range (mm <sup>2</sup> )	İletken Kesiti Conductor Range (mm <sup>2</sup> )	Malzeme Material
KTP-10	10	10	NAVAL BRASS
KTP-16	16	16	
KTP-25	25	25	
KTP-35	35	35	
KTP-50	50	50	
KTP-70	70	70	
KTP-95	95	95	
KTP-120	120	120	



Bolts: Property Class : 8.8 Electro Galvanized

**DAĞITIM KLEMENSİ İLETKEN TİP (Düz, T, L, + Tip) / DISTRIBUTION CABLE CLAMP (Lineal, in T, in L, in cross)**

**üç parçalı / three-piece**

Sipariş Kodu Reference No.	İletken Kesiti Conductor Range (mm <sup>2</sup> )	İletken Kesiti Conductor Range (mm <sup>2</sup> )	Malzeme Material
DKI-50-B-50	50	50	E-Cu
DKI-50-B-70	50	70	
DKI-50-B-95	50	95	
DKI-50-B-120	50	120	
DKI-50-B-150	50	150	
DKI-50-B-185	50	185	
DKI-50-B-240	50	240	
DKI-70-B-70	70	70	
DKI-70-B-95	70	95	
DKI-70-B-120	70	120	
DKI-70-B-150	70	150	
DKI-70-B-185	70	185	
DKI-70-B-240	70	240	
DKI-95-B-95	95	95	
DKI-95-B-120	95	120	
DKI-95-B-150	95	150	
DKI-95-B-185	95	185	
DKI-95-B-240	95	240	
DKI-120-B-120	120	120	
DKI-120-B-150	120	150	
DKI-120-B-185	120	185	
DKI-120-B-240	120	240	
DKI-150-B-150	150	150	
DKI-150-B-185	150	185	
DKI-150-B-240	150	240	
DKI-185-B-185	185	185	
DKI-185-B-240	185	240	
DKI-240-B-240	240	240	



**DAĞITIM KLEMENSİ İLETKEN TİP (Düz, T, L, + Tip) / DISTRIBUTION CABLE CLAMP (Lineal, in T, in L, in cross)**

**üç parçalı / three-piece**



DKI-50-G-50	50	50	H.D.G. Steel
DKI-50-G-70	50	70	
DKI-50-G-95	50	95	
DKI-50-G-120	50	120	
DKI-50-G-150	50	150	
DKI-70-G-50	70	50	
DKI-70-G-70	70	70	
DKI-70-G-95	70	95	
DKI-70-G-120	70	120	
DKI-70-G-150	70	150	
DKI-95-G-50	95	50	
DKI-95-G-70	95	70	
DKI-95-G-95	95	95	
DKI-95-G-120	95	120	
DKI-95-G-150	95	150	
DKI-120-G-50	120	50	
DKI-120-G-70	120	70	
DKI-120-G-95	120	95	
DKI-120-G-120	120	120	
DKI-120-G-150	120	150	
DKI-150-G-50	150	50	
DKI-150-G-70	150	70	
DKI-150-G-95	150	95	
DKI-150-G-120	150	120	
DKI-150-G-150	150	150	

H.D.G. Steel : Hot Dip Galvanized Steel

Bolts : Inox A2-70

**DAĞITIM KLEMENSİ İLETKEN TİP (Düz, T, L, + Tip) / DISTRIBUTION CABLE CLAMP (Lineal, in T, in L, in cross)**

**iki parçalı / two-piece**



Sipariş Kodu Reference No.	İletken Kesiti Conductor Range (mm <sup>2</sup> )	İletken Kesiti Conductor Range (mm <sup>2</sup> )	Malzeme Material
DKT-50-B-50	50	50	E-Cu
DKT-50-B-70	50	70	
DKT-50-B-95	50	95	
DKT-50-B-120	50	120	
DKT-50-B-150	50	150	
DKT-70-B-50	70	50	
DKT-70-B-70	70	70	
DKT-70-B-95	70	95	
DKT-70-B-120	70	120	
DKT-70-B-150	70	150	
DKT-95-B-50	95	50	
DKT-95-B-70	95	70	
DKT-95-B-95	95	95	
DKT-95-B-120	95	120	
DKT-95-B-150	95	150	
DKT-120-B-50	120	50	
DKT-120-B-70	120	70	
DKT-120-B-95	120	95	
DKT-120-B-120	120	120	
DKT-120-B-150	120	150	
DKT-150-B-50	150	50	
DKT-150-B-70	150	70	
DKT-150-B-95	150	95	
DKT-150-B-120	150	120	
DKT-150-B-150	150	150	

**DAĞITIM KLEMENSİ İLETKEN TİP (Düz, T, L, + Tip) / DISTRIBUTION CABLE CLAMP (Lineal, in T, in L, in cross)**

iki parçalı / two-piece

Sipariş Kodu Reference No.	İletken Kesiti Conductor Range (mm <sup>2</sup> )	İletken Kesiti Conductor Range (mm <sup>2</sup> )	Malzeme Material
DKT-50-G-50	50	50	H.D.G. Steel
DKT-50-G-70	50	70	
DKT-50-G-95	50	95	
DKT-50-G-120	50	120	
DKT-50-G-150	50	150	
DKT-70-G-50	70	50	
DKT-70-G-70	70	70	
DKT-70-G-95	70	95	
DKT-70-G-120	70	120	
DKT-70-G-150	70	150	
DKT-95-G-50	95	50	
DKT-95-G-70	95	70	
DKT-95-G-95	95	95	
DKT-95-G-120	95	120	
DKT-95-G-150	95	150	
DKT-120-G-50	120	50	
DKT-120-G-70	120	70	
DKT-120-G-95	120	95	
DKT-120-G-120	120	120	
DKT-120-G-150	120	150	
DKT-150-G-50	150	50	
DKT-150-G-70	150	70	
DKT-150-G-95	150	95	
DKT-150-G-120	150	120	
DKT-150-G-150	150	150	



H.D.G. Steel : Hot Dip Galvanized Steel

Bolts : Inox A2-70

**DAĞITIM KLEMENSİ (+) MODELİ / DISTRIBUTION CLAMP (+) MODEL**

iki parçalı / two-piece

Sipariş Kodu Reference No.	İletken Kesiti Conductor Range (mm <sup>2</sup> )	İletken Kesiti Conductor Range (mm <sup>2</sup> )	Malzeme Material
DK(+)-50-B-50	50	50	E-Cu
DK(+)-70-B-70	70	70	
DK(+)-95-B-95	95	95	
DK(+)-120-B-120	120	120	
DK(+)-150-B-150	150	150	

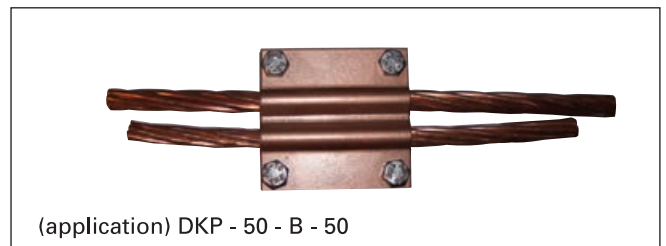
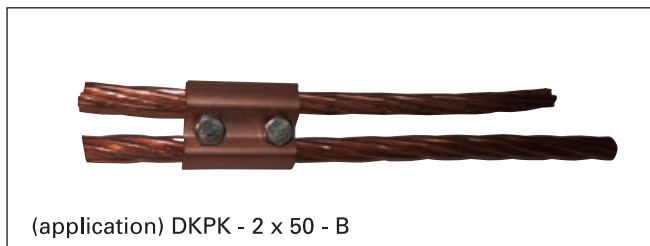


Sipariş Kodu Reference No.	İletken Kesiti Conductor Range (mm <sup>2</sup> )	İletken Kesiti Conductor Range (mm <sup>2</sup> )	Malzeme Material
DK(+)-50-G-50	50	50	H.D.G. Steel
DK(+)-70-G-70	70	70	
DK(+)-95-G-95	95	95	
DK(+)-120-G-120	120	120	
DK(+)-120-G-150	150	150	



H.D.G. Steel : Hot Dip Galvanized Steel

Bolts : Inox A2-70



## DAĞITIM KLEMENSİ PARALEL TİP / DISTRIBUTION CLAMP - PARALLEL MODEL

iki parçalı / two-piece



Sipariş Kodu Reference No.	İletken Kesiti Conductor Range (mm <sup>2</sup> )	İletken Kesiti Conductor Range (mm <sup>2</sup> )	Malzeme Material
DKP-50-B-50	50	50	E-Cu
DKP-70-B-70	70	70	
DKP-95-B-95	95	95	
DKP-150-B-120	120	120	
DKP-150-B-150	150	150	

## DAĞITIM KLEMENSİ PARALEL KÜÇÜK MODEL / DISTRIBUTION CLAMP - PARALLEL MODEL SMALL



Sipariş Kodu Reference No.	İletken Kesiti Conductor Range (mm <sup>2</sup> )	İletken Kesiti Conductor Range (mm <sup>2</sup> )	Malzeme Material
DKPK-2x16-B	16	16	E-Cu
DKPK-2x25-B	25	25	
DKPK-2x35-B	35	35	
DKPK-2x50-B	50	50	
DKPK-2x70-B	70	70	

E-Cu: Electrolytic Copper

H.D.G. Steel : Hot Dip Galvanized Steel

Bolts : Inox A2-70

## DAĞITIM KLEMENSİ LAMA TİP / DISTRIBUTION CLAMP - STRIP MODEL

COPPER TAPE - COPPER TAPE

üç parçalı / three-piece



Sipariş Kodu Reference No.	Lama Ölçüsü Copper Tape (mm)	Lama Ölçüsü Copper Tape (mm)	Malzeme Material
DKL-30x3-B-30x3	30x3	30x3	E-Cu
DKL-30x3-B-30x5	30x3	30x5	
DKL-30x3-B-40x3	30x3	40x3	
DKL-30x3-B-40x4	30x3	40x4	
DKL-30x3-B-40x5	30x3	40x5	
DKL-30x3-B-50x3	30x3	50x3	
DKL-30x3-B-50x5	30x3	50x5	
DKL-30x5-B-30x5	30x5	30x5	
DKL-30x5-B-40x3	30x5	40x3	
DKL-30x5-B-40x4	30x5	40x4	
DKL-30x5-B-40x5	30x5	40x5	
DKL-30x5-B-50x3	30x5	50x3	
DKL-30x5-B-50x5	30x5	50x5	
DKL-40x3-B-40x3	40x3	40x3	
DKL-40x3-B-40x4	40x3	40x4	
DKL-40x3-B-40x5	40x3	40x5	
DKL-40x3-B-50x3	40x3	50x3	
DKL-40x3-B-50x5	40x3	50x5	
DKL-40x4-B-40x4	40x4	40x4	
DKL-40x4-B-40x5	40x4	40x5	
DKL-40x4-B-50x3	40x4	50x3	
DKL-40x4-B-50x5	40x4	50x5	
DKL-40x5-B-40x5	40x5	40x5	
DKL-40x5-B-50x3	40x5	50x3	
DKL-40x5-B-50x5	40x5	50x5	
DKL-50x3-B-50x3	50x3	50x3	
DKL-50x3-B-50x5	50x5	50x5	
DKL-60x4-B-60x4	60x4	60x4	
DKL-60x5-B-60x5	60x5	60x5	

E-Cu: Electrolytic Copper

H.D.G. Steel : Hot Dip Galvanized Steel

Bolts : Inox A2-70

**DAĞITIM KLEMENSİ LAMA TİP / DISTRIBUTION CLAMP - STRIP MODEL**

**COPPER TAPE -GALVANIZED STEEL TAPE**

dört parçalı / four-piece

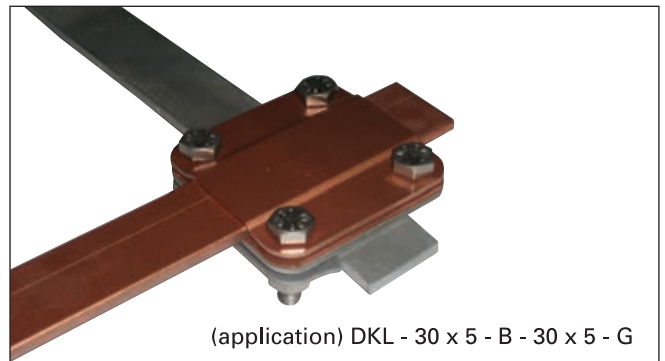
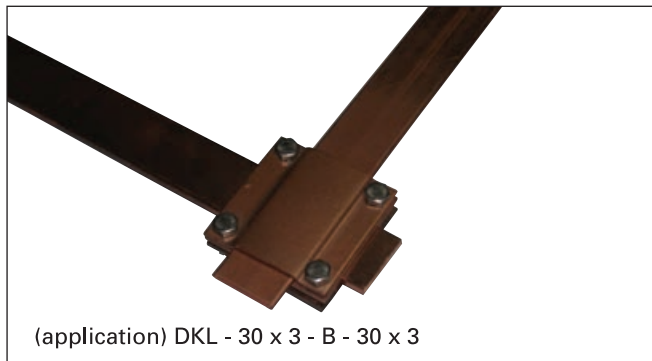
Sipariş Kodu Reference No.	Lama Ölçüsü Copper Tape (mm)	Lama Ölçüsü Galvanized Tape (mm)	Malzeme Material
DKL-30x3-B-30x3-G	30x3	30x3	E-Cu+H.D.G.S
DKL-30x3-B-30x5-G	30x3	30x5	
DKL-30x3-B-40x3-G	30x3	40x3	
DKL-30x3-B-40x4-G	30x3	40x4	
DKL-30x3-B-40x5-G	30x3	40x5	
DKL-30x3-B-50x3-G	30x3	50x3	
DKL-30x3-B-50x5-G	30x3	50x5	
DKL-30x5-B-30x5-G	30x5	30x5	
DKL-30x5-B-40x3-G	30x5	40x3	
DKL-30x5-B-40x4-G	30x5	40x4	
DKL-30x5-B-40x5-G	30x5	40x5	
DKL-30x5-B-50x3-G	30x5	50x3	
DKL-30x5-B-50x5-G	30x5	50x5	
DKL-40x3-B-40x3-G	40x3	40x3	
DKL-40x3-B-40x4-G	40x3	40x4	
DKL-40x3-B-40x5-G	40x3	40x5	
DKL-40x3-B-50x3-G	40x3	50x3	
DKL-40x3-B-50x5-G	40x3	50x5	
DKL-40x4-B-40x4-G	40x4	40x4	
DKL-40x4-B-40x5-G	40x4	40x5	
DKL-40x4-B-50x3-G	40x4	50x3	
DKL-40x4-B-50x5-G	40x4	50x5	
DKL-40x5-B-40x5-G	40x5	40x5	
DKL-40x5-B-50x3-G	40x5	50x3	
DKL-40x5-B-50x5-G	40x5	50x5	
DKL-50x3-B-50x3-G	50x3	50x3	
DKL-50x3-B-50x5-G	50x5	50x5	



E-Cu: Electrolytic Copper

H.D.G.S : Hot Dip Galvanized Steel

Bolts : Inox A2-70



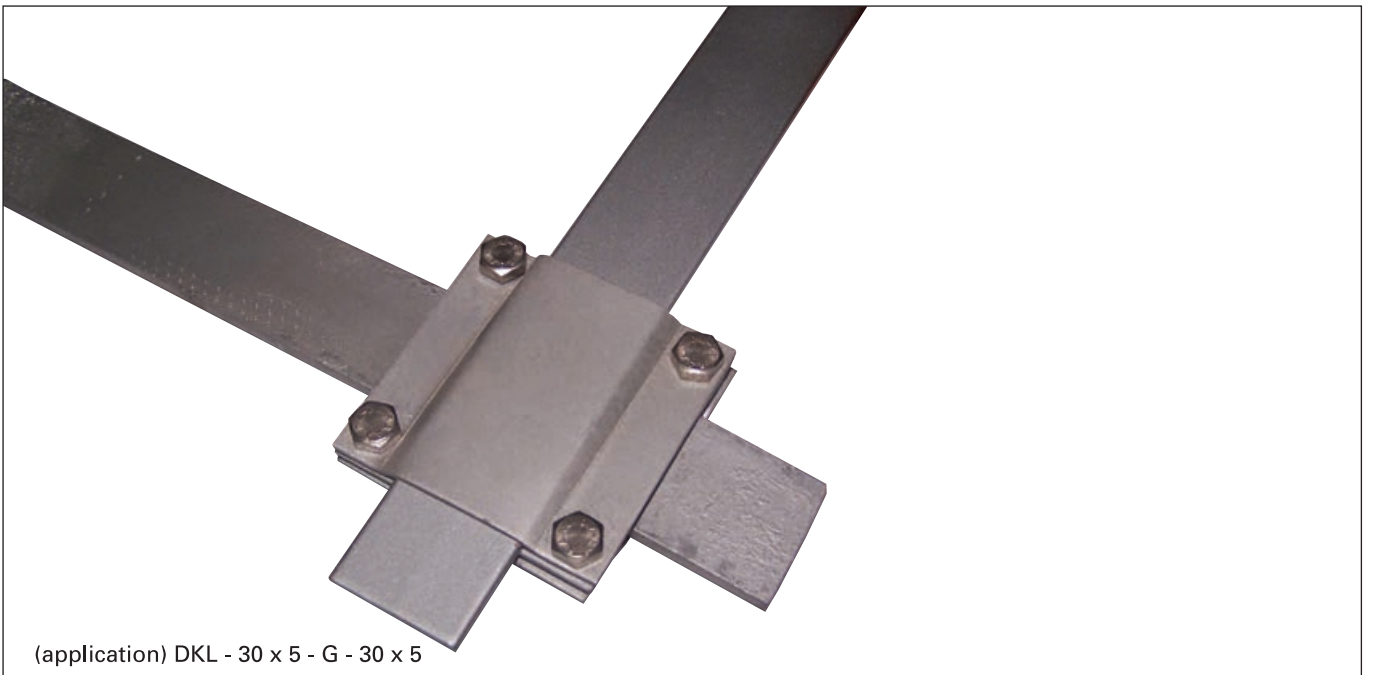
**DAĞITIM KLEMENSİ LAMA TİP / DISTRIBUTION CLAMP - STRIP MODEL**

üç parçalı / three-piece

Sipariş Kodu Reference No.	Lama Ölçüsü Galvanized Tape (mm)	Lama Ölçüsü Galvanized Tape (mm)	Malzeme Material
DKL-30x3-G-30x3	30x3	30x3	H.D.G.Steel
DKL-30x3-G-30x5	30x3	30x5	
DKL-30x3-G-40x3	30x3	40x3	
DKL-30x3-G-40x4	30x3	40x4	
DKL-30x3-G-40x5	30x3	40x5	
DKL-30x3-G-50x3	30x3	50x3	
DKL-30x3-G-50x5	30x3	50x5	
DKL-30x5-G-30x5	30x5	30x5	
DKL-30x5-G-40x3	30x5	40x3	
DKL-30x5-G-40x4	30x5	40x4	
DKL-30x5-G-40x5	30x5	40x5	
DKL-30x5-G-50x3	30x5	50x3	
DKL-30x5-G-50x5	30x5	50x5	
DKL-40x3-G-40x3	40x3	40x3	
DKL-40x3-G-40x4	40x3	40x4	
DKL-40x3-G-40x5	40x3	40x5	
DKL-40x3-G-50x3	40x3	50x3	
DKL-40x3-G-50x5	40x3	50x5	
DKL-40x4-G-40x4	40x4	40x4	
DKL-40x4-G-40x5	40x4	40x5	
DKL-40x4-G-50x3	40x4	50x3	
DKL-40x4-G-50x5	40x4	50x5	
DKL-40x5-G-40x5	40x5	40x5	
DKL-40x5-G-50x3	40x5	50x3	
DKL-40x5-G-50x5	40x5	50x5	
DKL-50x3-G-50x3	50x3	50x3	
DKL-50x3-G-50x5	50x5	50x5	



H.D.G. : Hot Dip Galvanized G: Electro Galvanized Bolts : Inox A2-70





**DAĞITIM KLEMENSİ İLETKEN-LAMA TİP / DISTRIBUTION CLAMP**

**COPPER CABLE / COPPER TAPE**

üç parçalı / three-piece

Sipariş Kodu Reference No.	İletken Kesiti Conductor Range Ø(mm) (mm <sup>2</sup> )		Lama Ölçüsü Copper Tape (mm)	Malzeme Material
DKIL-50-B-30x3	8	50	30x3	COPPER
DKIL-50-B-30x5	8	50	30x5	
DKIL-50-B-40x3	8	50	40x3	
DKIL-50-B-40x5	8	50	40x5	
DKIL-50-B-50x3	8	50	50x3	
DKIL-50-B-50x5	8	50	50x5	
DKIL-70-B-30x3	10	70	30x3	
DKIL-70-B-30x5	10	70	30x5	
DKIL-70-B-40x3	10	70	40x3	
DKIL-70-B-40x5	10	70	40x5	
DKIL-70-B-50x3	10	70	50x3	
DKIL-70-B-50x5	10	70	50x5	
DKIL-95-B-30x3	95		30x3	
DKIL-95-B-30x5	95		30x5	
DKIL-95-B-40x3	95		40x3	
DKIL-95-B-40x5	95		40x5	
DKIL-95-B-50x3	95		50x3	
DKIL-95-B-50x5	95		50x5	
DKIL-120-B-30x3	120		30x3	
DKIL-120-B-30x5	120		30x5	
DKIL-120-B-40x3	120		40x3	
DKIL-120-B-40x5	120		40x5	
DKIL-120-B-50x3	120		50x3	
DKIL-120-B-50x5	120		50x5	
DKIL-120-B-60x4	120		60x4	
DKIL-120-B-60x5	120		60x5	
DKIL-150-B-30x3	150		30x3	
DKIL-150-B-30x5	150		30x5	
DKIL-150-B-40x3	150		40x3	
DKIL-150-B-40x5	150		40x5	
DKIL-150-B-50x3	150		50x3	
DKIL-150-B-50x5	150		50x5	



E-Cu: Electrolytic Copper

Bolts : Inox A2-70

İsteğe bağlı olarak dört parçalı imal edilir.  
Four-piece production is available upon request



**DAĞITIM KLEMENSİ İLETKEN-LAMA TİP / DISTRIBUTION CLAMP**

**COPPER CABLE / GALVANIZED TAPE**

**dört parçalı / four-piece**



Sipariş Kodu Reference No.	İletken Kesiti Conductor Range Ø(mm) (mm <sup>2</sup> )		Lama Ölçüsü Galvanized Tape mm	Malzeme Material
DKIL-50-GB-30x3	8	50	30x3	E-Cu+H.D.G.S.
DKIL-50-GB-30x5	8	50	30x5	
DKIL-50-GB-40x3	8	50	40x3	
DKIL-50-GB-40x4	8	50	40x4	
DKIL-50-GB-40x5	8	50	40x5	
DKIL-50-GB-50x3	8	50	50x3	
DKIL-50-GB-50x5	8	50	50x5	
DKIL-50-GB-30x3	8	50	30x3	
DKIL-50-GB-30x5	8	50	30x5	
DKIL-50-GB-40x3	8	50	40x3	
DKIL-50-GB-40x5	8	50	40x5	
DKIL-50-GB-50x3	8	50	50x3	
DKIL-50-GB-50x5	8	50	50x5	
DKIL-70-GB-30x3	10	70	30x3	
DKIL-70-GB-30x5	10	70	30x5	
DKIL-70-GB-40x3	10	70	40x3	
DKIL-70-GB-40x4	10	70	40x4	
DKIL-70-GB-40x5	10	70	40x5	
DKIL-70-GB-50x3	10	70	50x3	
DKIL-70-GB-50x5	10	70	50x5	
DKIL-95-GB-30x3	95		30x3	
DKIL-95-GB-30x5	95		30x5	
DKIL-95-GB-40x3	95		40x3	
DKIL-95-GB-40x4	95		40x4	
DKIL-95-GB-40x5	95		40x5	
DKIL-95-GB-50x3	95		50x3	
DKIL-95-GB-50x5	95		50x5	
DKIL-120-GB-30x3	120		30x3	
DKIL-120-GB-30x5	120		30x5	
DKIL-120-GB-40x3	120		40x3	
DKIL-120-GB-40x4	120		40x4	
DKIL-120-GB-40x5	120		40x5	
DKIL-120-GB-50x3	120		50x3	
DKIL-120-GB-50x5	120		50x5	
DKIL-150-GB-30x3	150		30x3	
DKIL-150-GB-30x5	150		30x5	
DKIL-150-GB-40x3	150		40x3	
DKIL-150-GB-40x4	150		40x4	
DKIL-150-GB-40x5	150		40x5	
DKIL-150-GB-50x3	150		50x3	
DKIL-150-GB-50x5	150		50x5	
DKIL-185-GB-30x3	185		30x3	
DKIL-185-GB-30x5	185		30x5	
DKIL-185-GB-40x3	185		40x3	
DKIL-185-GB-40x4	185		40x4	
DKIL-185-GB-40x5	185		40x5	
DKIL-185-GB-50x3	185		50x3	
DKIL-185-GB-50x5	185		50x5	
DKIL-240-GB-30x3	240		30x3	
DKIL-240-GB-30x5	240		30x5	
DKIL-240-GB-40x3	240		40x3	
DKIL-240-GB-40x4	240		40x4	
DKIL-240-GB-40x5	240		40x5	
DKIL-240-GB-50x3	240		50x3	
DKIL-240-GB-50x5	240		50x5	

E-Cu: Electrolytic Copper

H.D.G. Steel : Hot Dip Galvanized Steel

Bolts : Inox A2-70